

S2000 PC Micro Sprinkler



The Next Sprinkler Revolution

Rivulis S2000 Micro Sprinkler

- Easy to maintain
- Low trajectory to protect fruit from water damage
- Built-in anti-insect protection
- Pressure compensated (PC) sprinkler available for uniform flow rates

Revolution: The Most Advanced Micro Sprinkler Yet

Introducing a micro sprinkler with easy take-apart body, low trajectory and anti-wear movement.

From the moment you hold an Rivulis S2000 micro sprinkler, you will feel the strength of the construction. You know this is a sprinkler that will perform in tough conditions.

Then you open it up, and it is simple. Unlike other sprinklers that require multiple steps to open, Rivulis S2000 opens in one click. Putting it back together is just as simple.

But in the field is where the Rivulis S2000 Micro Sprinkler really performs. At the start of a new season, although the sprinkler has not been used for months, you will be amazed at how reliably it starts up again.



Award winning. Finalist in the New Product / Innovation Category, Irrigation Australia 2012

Unique Easy Take-Apart Body

for ease of maintenance

Low Trajectory

to prevent fruit damage

Anti-Insect Protection

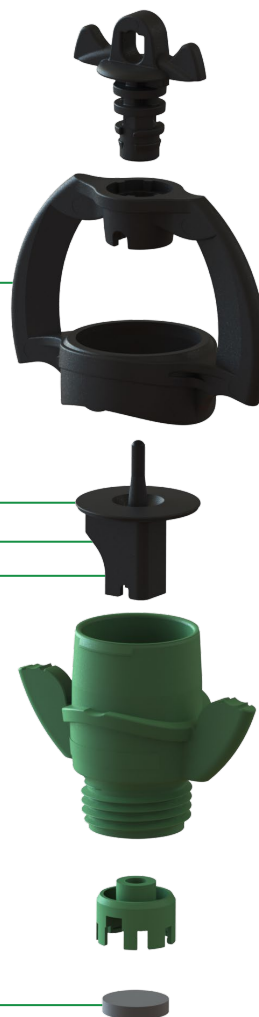
standard in all S2000 models

Wear-Resistant Movement

for long term reliability

Pressure Compensation Option

for longer run lengths and use on undulating terrain



Simple: One Click Take-Apart Body

Save time in the field with Rivulis S2000's unique easy take-apart body in just one click!



Rivulis S2000 with meteor adaptor & cantal stake



Rivulis S2000 with meteor adaptor hanging from LDPE



Rivulis S2000 with snap-off range limiter for young trees

Options: To Suit Your Unique Needs

Pressure Compensation (PC)

What does it do:

Within a relatively large pressure range, ensures the same flow rate per sprinkler regardless of what the pressure is at that point of the tube. So the sprinkler at lower elevation will emit the same amount of water as the sprinkler at the highest point. PC also ensures the most accurate wetting diameter and water uniformity.

Where to use:

Undulating ground and long-run lengths

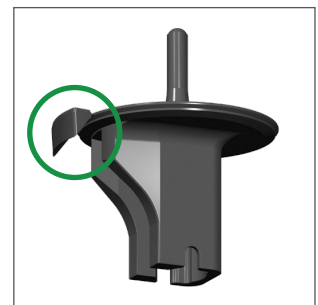
Range Limiter

What does it do:

A plastic tab is attached onto the spinner for use while trees are young. As the trees grow, simply break off the tab and the Rivulis S2000 Micro Sprinkler will perform at full wetting diameter for mature trees.

Where to use:

Young orchards



Trunk Protector

What does it do:

A deflector installed onto the bridge to guide water away from the trunks of trees.

Where to use:

In any application where you choose to protect the trunk from water damage.



Rivulis S2000 | Performance Data

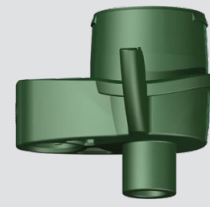
Description	Inlet	Flow Rate @ 2.0 bar (l/h)	Nozzle Size (mm)	Nozzle Color	Spinner Color	Range Limiter	Wetting Diameter (m) 25 cm above ground, 2.0 bar inlet pressure
S2000 29 l/h	3/8" THM, Conic F, 5 mm Threaded	29.0	0.77	Light Blue	Black	✗	6.5
S2000 37 l/h		37.0	0.85	Black	Black		6.0
S2000 51 l/h		51.0	1.00	Blue	Black		6.5
S2000 61 l/h		61.0	1.10	Dark Blue	Black		7.0
S2000 75 l/h		75.0	1.20	Green	Black		8.0
S2000 97 l/h		97.0	1.40	Red	Black		9.0
S2000 125 l/h		125.0	1.60	White	Black		10.0
S2000 170 l/h	3/8" x Conic F, 5 mm Threaded	170.0	1.80	Violet	Dark Blue		9.5
S2000 205 l/h		205.0	2.00	Yellow	Dark Blue		10.0
S2000 260 l/h	3/8" Threaded x Conic F	260.0	2.20	Brown	Dark Blue		10.0
S2000 300 l/h		300.0	2.40	Orange	Dark Blue	10.5	
S2000 29 l/h (with range limiter)	3/8" THM x Conic F, 5 mm Threaded	29.0	0.77	Light Blue	Black	✓	1.0 (6.5 without range limiter)
S2000 37 l/h (with range limiter)		37.0	0.85	Black	Black		1 (6.0 without range limiter)
S2000 51 l/h (with range limiter)		51.0	1.00	Blue	Black		1.4 (6.5 without range limiter)
S2000 61 l/h (with range limiter)		61.0	1.10	Dark Blue	Black		1.4 (7.0 without range limiter)
S2000 75 l/h (with range limiter)		75.0	1.20	Green	Black		1.4 (8.0 without range limiter)
S2000 97 l/h (with range limiter)		97.0	1.40	Red	Black		1.4 (9.5 without range limiter)
S2000 125 l/h (with range limiter)		125.0	1.60	White	Black		2.0 (10.0 without range limiter)

Rivulis Inlet Options

Rivulis S2000 inlets offer three different inlet options to make retrofitting to existing systems easy.



5 mm threaded

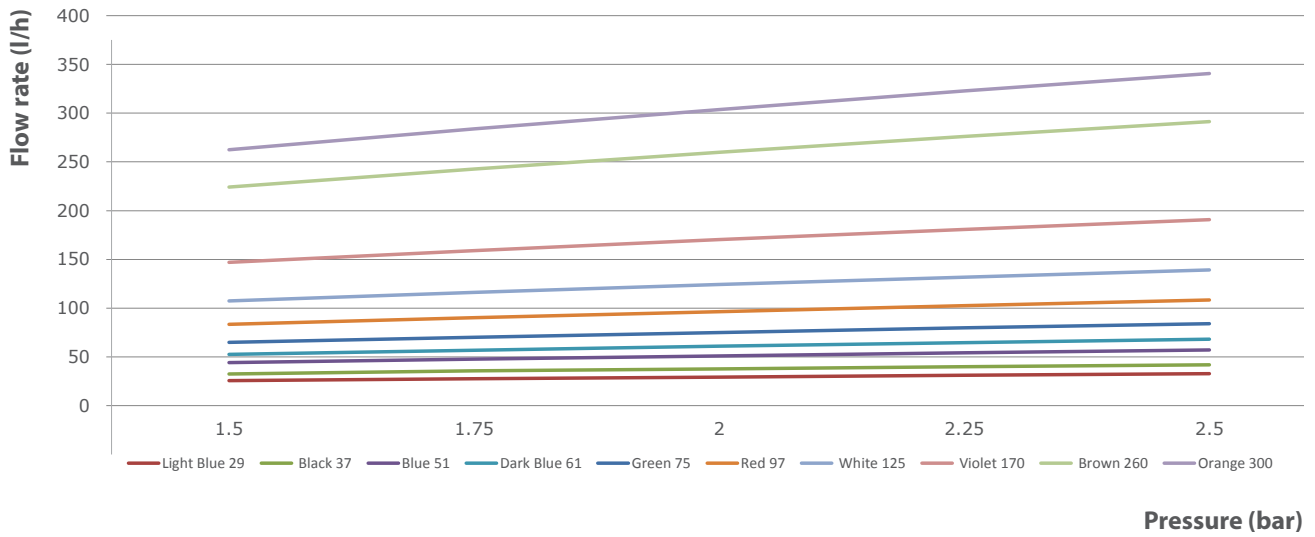


Conic Female



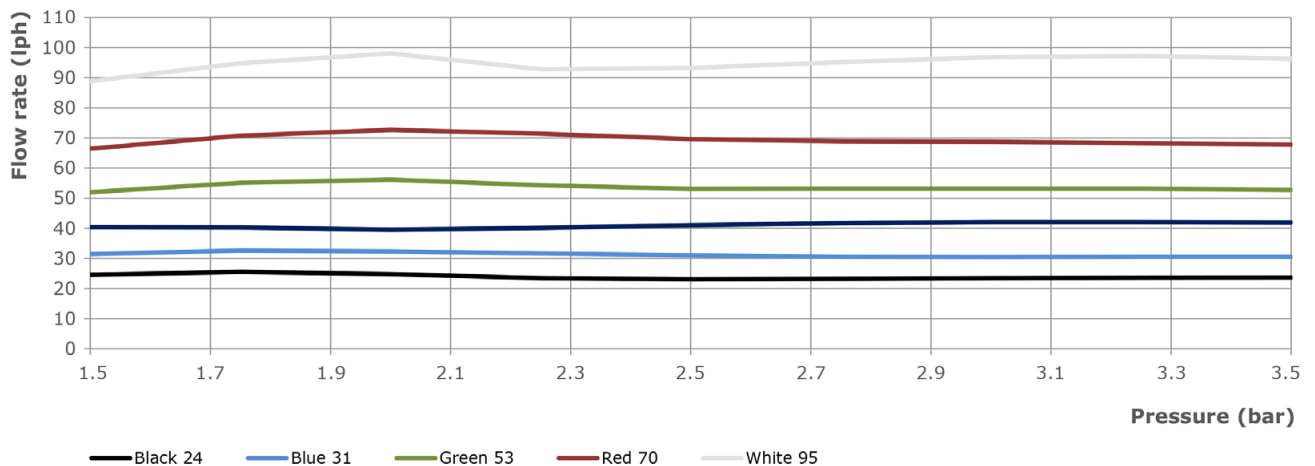
3/8" THM

Rivulis S2000 | Flow x Pressure Chart



Rivulis S2000 PC | Performance Data & Flow Chart

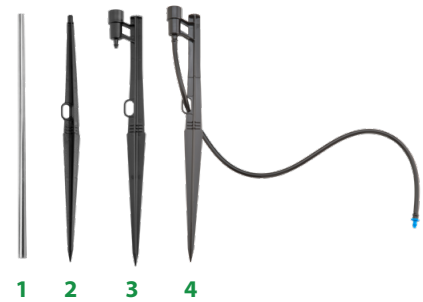
Description	Inlet Options	Flow rate (l/h)	Nozzle Color	Spinner Color	Range Limiter	Wetting Diameter (m) 25 cm above ground
S2000 PC 24 l/h	3/8" THM	24.0	Black	Grey	✗	5.0
S2000 PC 31 l/h		31.0	Blue	Grey		5.0
S2000 PC 41 l/h		41.0	Dark Blue	Grey		5.5
S2000 PC 53 l/h		53.0	Green	Grey		6.5
S2000 PC 70 l/h		70.0	Red	Grey		7.0
S2000 PC 95 l/h		95.0	White	Grey		7.0
S2000 PC 24 l/h (with range limiter)		24.0	Black	Grey	✓	1.0 – 1.5 (5.0 without range limiter)
S2000 PC 31 l/h (with range limiter)		31.0	Blue	Grey		1.0 – 1.5 (5.0 without range limiter)
S2000 PC 41 l/h (with range limiter)		41.0	Dark Blue	Grey		1.0 – 1.5 (6.0 without range limiter)
S2000 PC 53 l/h (with range limiter)		53.0	Green	Grey		1.0 – 1.5 (6.5 without range limiter)
S2000 PC 70 l/h (with range limiter)		70.0	Red	Grey		1.0 – 1.5 (7.0 without range limiter)
S2000 PC 95 l/h (with range limiter)		95.0	White	Grey		1.0 – 1.5 (7.0 without range limiter)



Accessories

Stakes & Rods

Description	Product Information
1 1.2 m Metal Rod (8 mm diameter)	For use with meteor adaptor
2 Cantal Stake	For use with meteor adaptor – 35, 45 & 60 cm also available
3 Super Hammer Stake (4/7 inlet)	3/8" F outlet stake
4 Super Hammer Stake assembled with 60 cm 4/7 tube & connector assembly	3/8" F outlet stake pre-assembled with 4/7 tube and connector



Meteor Adaptors

All meteor adaptors are rated to 135 l/h flow rate with the exception of meteor adaptor #14 which is rated to 300 l/h flow.

Description	Connection	
Meteor adaptor #44 (3/8" F x 4/7) (Meteor adaptor #54 with acetal body available for low temperature applications)	Barbed - connect to 4/7 feeder tube	
Meteor adaptor #44 (3/8" F x 4/7) assembled with 60 cm 4/7 PE tube and connector	Pre-assembled. Insert directly into LDPE hose	
Meteor adaptor #44 (3/8" F x 4/7) assembled with 120 cm 4/7 tube and connector		
Meteor adaptor #20 (3/8" F x 5 mm threaded)	Threaded - connect to 4/7 feeder tube	
Meteor adaptor #47 (3/8" F x 4/7)	Barbed - connect to 4/7 feeder tube	
Meteor adaptor #14 (3/8" F x 10 mm) HIGH FLOW	Barbed - connect to 10/12 feeder tube	

S2000 PC Micro Sprinkler



"A year ago we installed Rivulis S2000 sprinkler heads. Nutrition is a big part of our banana crop; the Rivulis sprinkler head does the job well with perfect water droplets, angle and spread. I would strongly recommend the Rivulis S2000 sprinkler head as it has lived up to all our expectations".

Charles Camuglia, Camuglia Farms (banana farm), Australia

Rivulis S2000 High Performance Micro Sprinklers

Model	S2000	S2000 PC
Mechanism	Micro Sprinkler	
Pressure compensating / flow regulating	X	✓
Anti-Insect	Standard on all models	
Flow rates (l/h)	29, 37, 51, 61, 75, 97, 125, 170, 205, 260, 300 (at 2.0 bar pressure)	24, 31, 41, 53, 70, 95
Operating pressure (bar)	1.5 – 3.5	
Wetting diameter (m) at 25 cm elevation	6.0 – 10.5	5.0 – 7.5
Inlets	Conic female, 5 mm threaded, 3/8" THM	3/8" THM
Options	Integral range limiter, Trunk protector	

Case study outcomes are for information purposes only and actual results may vary. This literature has been compiled for worldwide circulation and the descriptions, photos, and information are for general purpose use only. Please consult with an irrigation specialist and technical specifications for proper use of Rivulis products. Because some products are not available in all regions, please contact your local dealer for details. Rivulis reserves the right to change specifications and the design of all products without notice. Every effort has been used to ensure that product information, including data sheets, schematics, manuals and brochures are correct. However information should be verified before making any decisions based on this information.